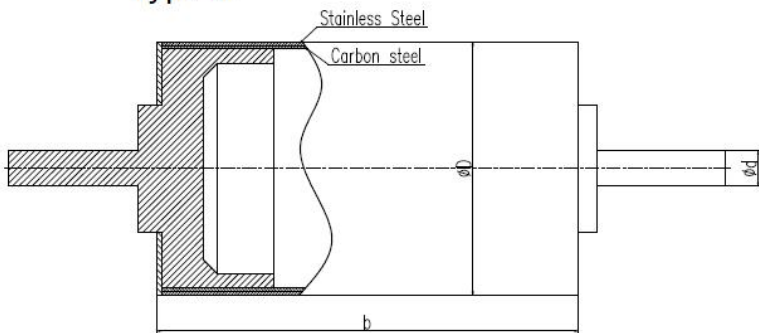
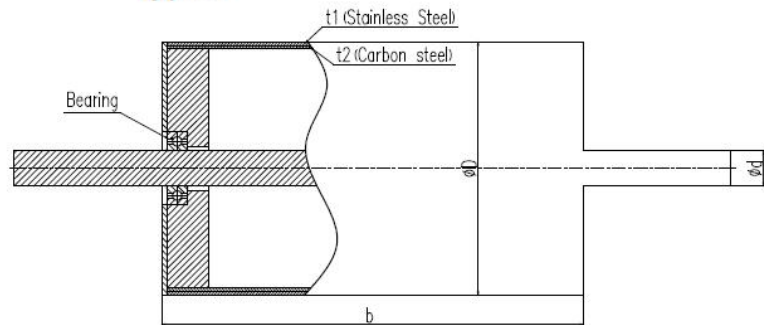


Guiding Rollers

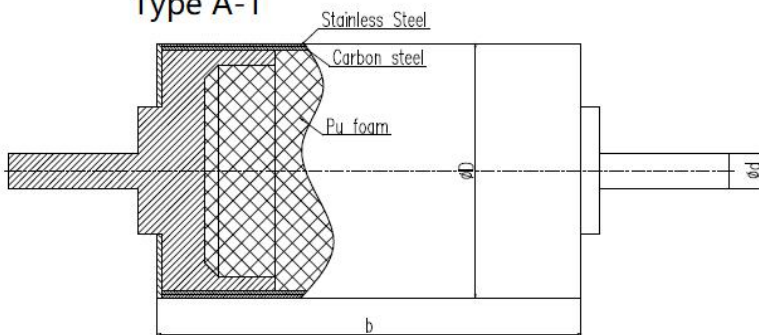
Type A



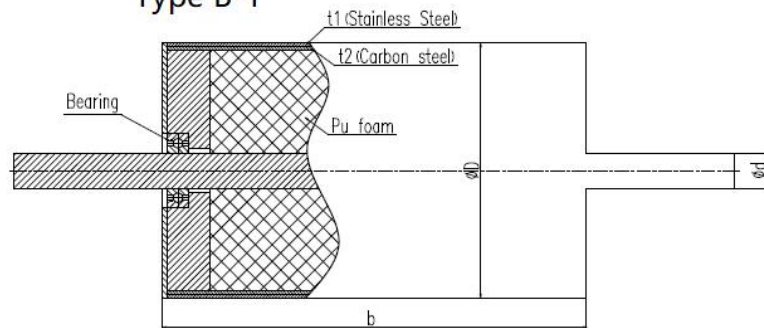
Type B



Type A-1



Type B-1



No.	1	2	3	4	5	6	7	8	9
O.D. mm	100	114	125	140	150	165	180	200	254

Guiding Rollers

(stainless steel roller)

Stainless steel guide roller is a cost-effective choice,

- 1) Fast production
- 2) Much cheaper than expensive precision machined stainless steel roller
- 3) Higher roundness and straightness than usual welded stainless steel pipes

Run-out: 0.2 -0.4max

Roughness: Ra0.8

Dynamic balancing: G40 or less

Welding inspection by dye pen

